

# Networking Racks & Enclosures



XSL Data Slim Enclosure with glass front and perforated rear doors, side panels and EIA mounting rails installed. Part No. shown: XSL84-3-102420.

## Data Slim Enclosures

XSL Data Slim Style: 24" Wide x 30" Deep

### Applications

This freestanding enclosure features a 24" footprint to match computer room floor tile. Ideal for use in Data Centers or other areas where space is at a premium.

### Design & Structural Features

- Freestanding welded frame with modular construction.
- 24" wide x 30" deep footprint.
- Frame heights: 48", 72", 78", 84".
- Allows for mounting of 19" wide equipment.
- Includes two pairs of EIA-310 style mounting rails with hardware.
- Includes casters and levelers.
- Grounding Kit available—see Components and Accessories section.



XSL Data Slim Enclosure Frame with EIA mounting rails installed.

## TECHNICAL SPECIFICATIONS

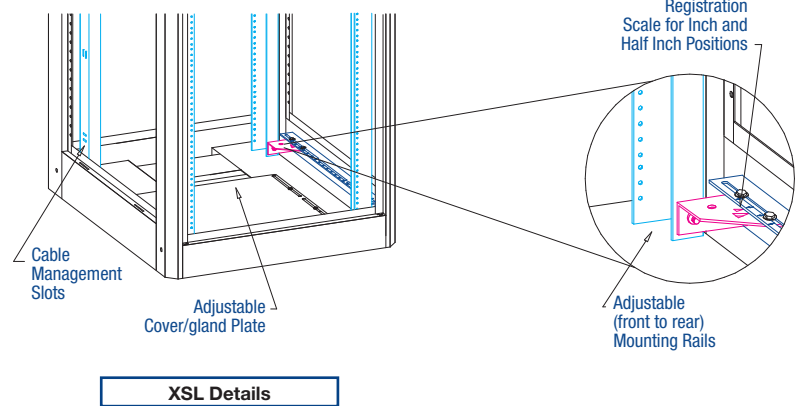
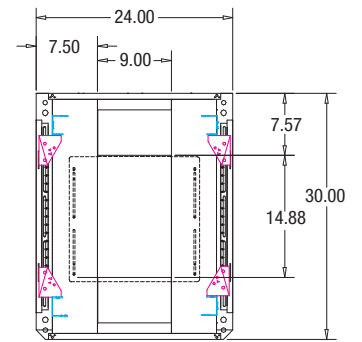
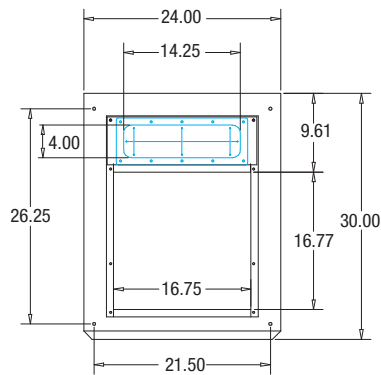
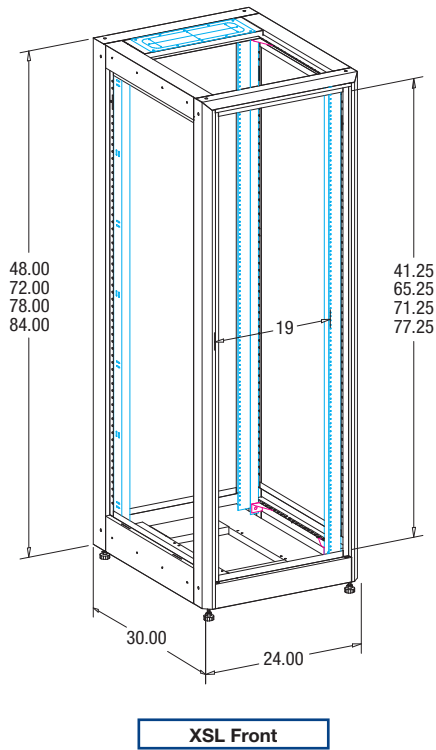
ENCLOSURE SIZE <small>Including gland plate, casters and levelers</small>	H	W	D	FRAME WEIGHT	MOUNTING	ENCLOSURE WEIGHT*	LOAD CAPACITY**	RACK SPACES	USABLE DEPTH	
									At Latch	To Inside of Door
XSL48-3-100000 Frame, 19" Mounting Rails, 2 pr. 10-32 Tapped Rails, Casters & Levelers	48"	24"	30"	155 lbs.	19"	255 lbs.	1200 lbs.	25U	27.5"	28.5"
XSL72-3-100000 Frame, 19" Mounting Rails, 2 pr. 10-32 Tapped Rails, Casters & Levelers	72"	24"	30"	180 lbs.	19"	325 lbs.	1200 lbs.	39U	27.5"	28.5"
XSL78-3-100000 Frame, 19" Mounting Rails, 2 pr. 10-32 Tapped Rails, Casters & Levelers	78"	24"	30"	190 lbs.	19"	350 lbs.	1200 lbs.	42U	27.5"	28.5"
XSL84-3-100000 Frame, 19" Mounting Rails, 2 pr. 10-32 Tapped Rails, Casters & Levelers	84"	24"	30"	200 lbs.	19"	370 lbs.	1200 lbs.	45U	27.5"	28.5"

\* Enclosure weight is an estimate for shipping a fully configured cabinet with Top, Doors, Sides and Power Strip.

\*\* Load capacity on levelers.

**Data Slim Enclosures**

DIMENSIONS



# Networking Racks & Enclosures

## Data Slim Enclosures

### HOW TO ORDER

Belden uses a simplified ordering matrix, allowing you to easily configure the enclosure you want with the appropriate frame style, size and components. Make your selections and fill in each of the boxes shown in the matrix below.

XSL		3						
-----	--	---	--	--	--	--	--	--

**FRAME HEIGHT**

#	Description
48	48" – 25U
72	72" – 39U
78	78" – 42U
84	84" – 45U

**MOUNTING - Incl. 2 pr. Rails**

#	Description
1	19" mounting, 10-32 tapped

**FRONT DOOR**

#	Description
1	Solid Swing
2	Glass Swing
4	Perforated Swing
0	None

**SIDES**

#	Description
1	One Solid Side
2	Two Solid Sides
0	None

**FRAME STYLE**

XSL (24" W x 30" D)
---------------------

**COLOR**

#	Description
1	Blue
2	Beige
3	Black
4	Gray

**TOP PANEL**

#	Description
2	10" Diameter Fan
3	4" Diameter Fans (4)
4	Solid Swing
5	Vented
0	None

**REAR DOOR**


#	Description
1	Solid Swing
4	Perforated Swing
5	Glass Swing
0	None

**POWER STRIP (See Notes\*)**


#	Description
2	4' 14 Outlet 15 Amp Surge Suppressor, 10' Cord
3	2' 8 Outlet 15 Amp/10' Cord
4	19" Rack Mount 6 Outlet (Rear) 15 Amp/ 15' Cord
5	19" Rack Mount 6 Outlet (Rear) Surge Suppressor, 20 Amp/ 10' Cord
6	4' 14 Outlet Surge Suppressor 20 Amp/10' Cord
7	2' 8 Outlet 20 Amp/10' Cord
8	66" 20 Outlet Surge Suppressor 20 Amp 10' Cord
0	None

*\*Notes:*  
 1) 19" rack mount PDUs will work on ALL Racks/Enclosures, for use with 19" mounting rails.  
 2) 4 PDUs will NOT work on any Racks/Enclosures with height of 28RU (52") or less.  
 3) 2' PDUs will NOT work on any Racks/Enclosures with height of 14RU (27.5") or less.  
 4) 66" PDUs will NOT work on any Racks/Enclosures with height of 40RU (73") or less.


**COLORS**




Blue (1) - Available on Request



Beige (2) - Available on Request



Black (3) - Standard



Gray (4) - Available on Request

**PRE-CONFIGURED ENCLOSURES**

Using the same ordering matrix, the most popular enclosure configurations for the XSL style are listed here with their respective part numbers. For your convenience, you can review these assemblies to see if there is one that matches your requirements.

ENCLOSURE	DESCRIPTION	ORDERING NUMBER
Data Slim, 48"	Black, 19" Mounting, Solid Top, Glass Front Door, Perforated Rear Door, Two Solid Side Panels	XSL48-3-142420
Data Slim, 72"	Black, 19" Mounting, Vented Top, Perforated Front Door, Perforated Rear Door, Two Solid Side Panels	XSL72-3-154420
Data Slim, 78"	Black, 19" Mounting, 4 - 4" Fan Top, Glass Front Door, Solid Rear Door, Two Solid Side Panels	XSL78-3-132120
Data Slim, 84"	Black, 19" Mounting, Solid Fan Top, Perforated Front Door, Perforated Rear Door, No Sides	XSL84-3-144400
Data Slim, 84"	Black, 19" Mounting, Solid Fan Top, Perforated Front Door, Perforated Rear Door, Two Solid Side Panels	XSL84-3-144420
Data Slim, 84"	Black, 19" Mounting, 10" Fan Top, Perforated Front Door, Solid Rear Door, No Sides	XSL84-3-124100
Data Slim, 84"	Black, 19" Mounting, 10" Fan Top, Perforated Front Door, Solid Rear Door, Two Solid Side Panels	XSL84-3-124120