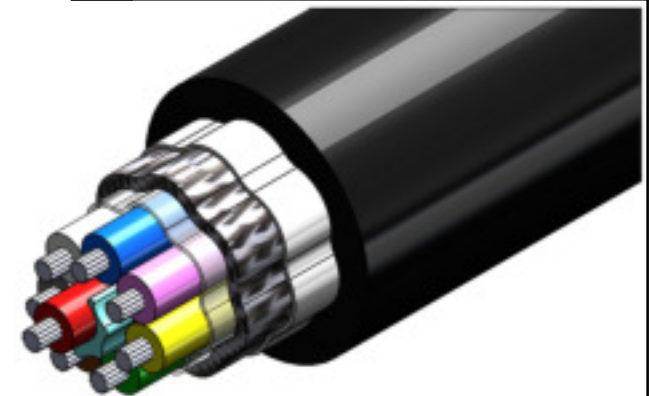
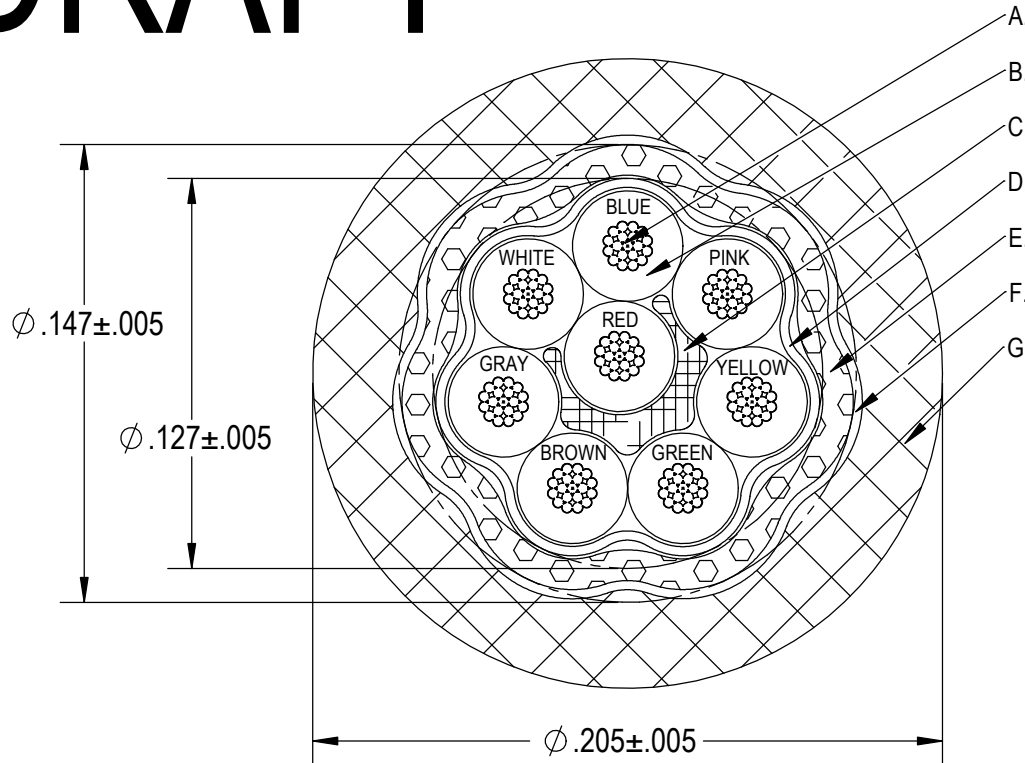


| | | | | | |
|--|----------------------|-----------------|-------------|------|--|
| DESCRIPTION: 28/8 80C 30V SHIELDED CABLE | | UNITS: IN | SCALE: 16:1 | ITEM | SPECIFICATIONS |
| CUSTOMER: JAYCOR INTERNATIONAL | NWI P/N: FCAB288-017 | DWG NO: 67214 | | A. | 28 AWG 19x40 TC OD: .0147+.0005/-0.0004" |
| CUSTOMER P/N: JPU0200808NW | DRAWN BY: G. MIELKE | DATE: 5/25/2017 | REV: A | B. | 9 MILS PP INSULATION 7 MILS MIN PP INSULATION OD: .036 ± .002" |

CORE DIMENSIONS FOR INTERNAL USE ONLY

DRAFT



| | |
|---|---|
| C. | COTTON FILLER |
| D. | POLYESTER TAPE WRAP |
| E. | 36 AWG TC BRAIDED SHIELD (90% MIN COVERAGE) |
| F. | TISSUE PAPER SEPARATOR |
| G. | 25 MILS PRESSURED POLYURETHANE JACKET 20 MILS MIN PRESSURED POLYURETHANE JACKET JACKET COLOR: GLOSS BLACK |
| CABLE IS NOT UL OR CSA APPROVED | |
| ROHS COMPLIANT MATERIALS TO EU DIRECTIVE 2011/65/EU | |

LEGEND SPECIFICATIONS: NO LEGEND REQUIRED



This document contains proprietary and confidential information of Northwire, Inc. (and its subsidiary) and shall not be used, disclosed or reproduced, in whole or in part, for any purpose without the prior written consent of Northwire, Inc. (and its subsidiary).

Disclaimer: The technical data that is made part of this document may be subject to the International Traffic in Arms Regulation (ITAR) and the Export Administration Regulations (EAR). Disclosure of technical data to Foreign Persons in the course of employment with U.S. contractors is considered an export and is subject to the ITAR and EAR export licensing requirements/regulations.

| | | | | |
|--|----------------------|-----------------|-------------|-------------------------|
| DESCRIPTION: 28/8 80C 30V SHIELDED CABLE | | UNITS: IN | SCALE: 60:1 | ELECTRICAL REQUIREMENTS |
| CUSTOMER: JAYCOR INTERNATIONAL | NWI P/N: FCAB288-017 | DWG NO: 67214 | | NONE SPECIFIED |
| CUSTOMER P/N: JPU0200808NW | DRAWN BY: G. MIELKE | DATE: 5/25/2017 | REV: A | |



| |
|-------------------------|
| MECHANICAL REQUIREMENTS |
| NONE SPECIFIED |

| | | | |
|-----------------|------|----------|-----|
| INITIAL DESIGN | A | 05/25/17 | GM |
| REVISION RECORD | REV. | REV DATE | APR |
| REVISIONS | | | |