

DC Single Output Industrial DIN Rail Power Supply Units



Compact Size with more Practicability and Convenience

PLANET Technology has provided complete Industrial Ethernet solution into market in last few years, such as Industrial Fast / Gigabit Ethernet Switch, Industrial PoE Ethernet Switch and Industrial VDSL2 Converter. Sometimes, it is hard to find suitable DC voltage power source for industrial equipments above. To remove this restriction and assure industrial equipments can get DC power easily, PLANET now releases the PWR series DC Single Output Industrial DIN Rail Power Supply Units.

The DC Single Output Industrial DIN Rail Power Supply Units accept universal 100-240 AC input voltage and provide 24V / 48V DC power output with various Watts value. It can be installed on DIN rail TS-35 / 7.5 or 15. It is ideal DC power feeding solution for Industrial equipments under heavy Industrial environments.

Stable Performance under Difficult Environments

The DC Single Output Industrial DIN Rail Power Supply Units provides Short circuit / Overload / Over voltage / Over temperature protections for stable operation. Meanwhile, it uses free air convection cooling.

Being able to operate under the temperature range from -20 to 70 Degree C (maximum), the DC Single Output Industrial DIN Rail Power Supply Units can be placed in almost any difficult environment.

PRODUCT FEATURES

PWR-40-24 (MEAN WELL/ MDR-40-24)

- Universal AC input / Full range
- Protections: Short circuit / Overload / Over voltage
- Cooling by free air convection
- For installation on DIN rail TS-35/7.5 or 15
- NEC class 2 / LPS compliant (12V, 24V, 48V only)
- LED indicator for power on
- DC OK relay contact
- No load power consumption < 0.75W
- 100% full load burn-in test

PWR-75-24 (MEAN WELL/ DR-75-24)

- Universal AC input / Full range
- Protections: Short circuit / Overload / Over voltage / Over temperature
- Cooling by free air convection
- For installation on DIN rail TS-35/7.5 or 15
- UL 508 (industrial control equipment) approved
- LED indicator for power on
- 100% full load burn-in test
- Fix switching frequency at 50KHz

PWR-120-48 (MEAN WELL/ DR-120-48)

- Universal AC input / Full range
- AC input range selectable by switch
- Protections: Short circuit / Overload / Over voltage / Over temperature
- Cooling by free air convection
- For installation on DIN rail TS-35/7.5 or 15
- UL 508 (industrial control equipment) approved
- LED indicator for power on
- 100% full load burn-in test
- Fixed switching frequency at 55KHz

PWR-240-48 (MEAN WELL/ DR-240-48)

- Universal AC input / Full range
- Built in active PFC function
- Protections: Short circuit / Overload / Over voltage / Over temperature
- Cooling by free air convection
- For installation on DIN rail TS-35/7.5 or 15
- UL 508 (industrial control equipment) approved
- LED indicator for power on
- 100% full load burn-in test
- Fixed switching frequency at 100KHz

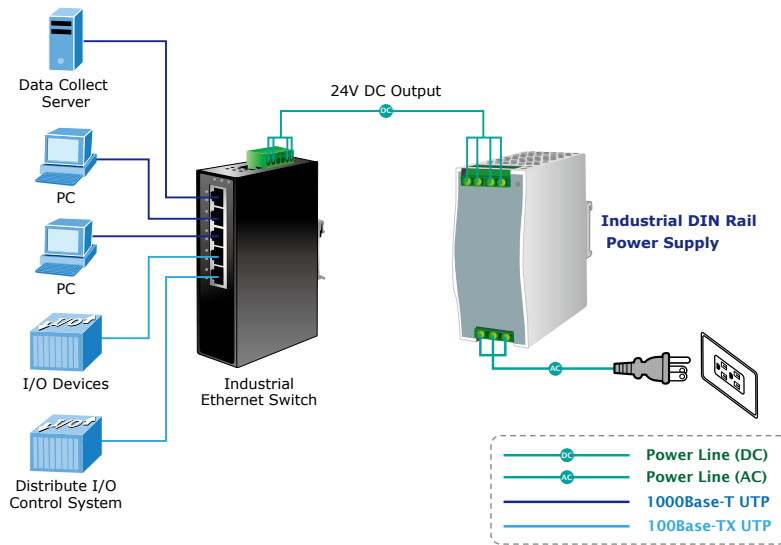
APPLICATIONS

Ideal DC 24V Power Feeding Solution for Non PoE Industrial Equipments

The following DC Single Output Industrial DIN Rail Power Supply Units provide enough power for current Non PoE Industrial equipments such as industrial Fast / Gigabit Ethernet Switch and Industrial VDSL2 Converter.

PWR-40-24 (MEAN WELL/ MDR-40-24): 40W 24V DC Single Output Industrial DIN Rail Power Supply (-20 ~ 70 Degree C)

PWR-75-24 (MEAN WELL/ DR-75-24): 75W 24V DC Single Output Industrial DIN Rail Power Supply (-10 ~ 60 Degree C)

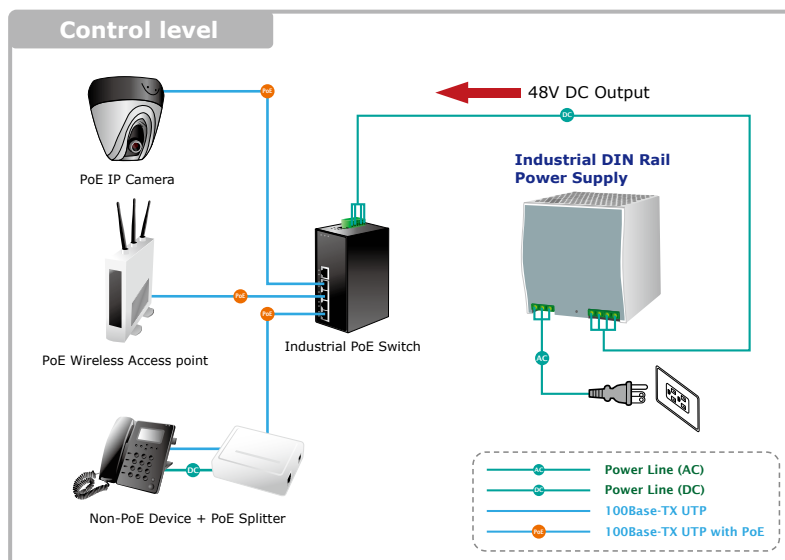


Ideal DC 48V Power Feeding Solution for PoE Industrial Equipments

The following DC Single Output Industrial DIN Rail Power Supply Units provide enough power for current Industrial PoE equipments, such as industrial PoE Ethernet Switch.

PWR-120-48 (MEAN WELL/ DR-120-48): 120W 48V DC Single Output Industrial DIN Rail Power Supply (-10 ~ 60 Degree C)

PWR-240-48 (MEAN WELL/ DR-240-48): 240W 48V DC Single Output Industrial DIN Rail Power Supply (-10 ~ 70 Degree C)



SPECIFICATION

Product	DC Single Output Industrial DIN Rail Power Supply Units			
Model	PWR-40-24 (MEAN WELL / MDR-40-24)	PWR-75-24 (MEAN WELL / DR-75-24)	PWR-120-48 (MEAN WELL / DR-120-48)	PWR-240-48 (MEAN WELL / DR-240-48)
Hardware Specification				
Dimension (W x H x D)	40 x 90 x 100 mm	55 x 125 x 100 mm	65 x 125 x 100 mm	125 x 125 x 100 mm
Weight (kg)	0.3kg	0.6kg	0.79kg	1.2kg
Input Voltage	100-240V AC, 50/60Hz, 1.1A	100-240V AC, 50/60Hz, 2.0A	100-240V AC, 50/60Hz, 3.3A	100-240V AC, 50/60Hz, 3.5A
Power Output	40Watts, 24V, 1.7A	75Watts, 24V, 3.2A	120Watts, 48V, 2.5A	240Watts, 48V, 5A
Temperature	Operating: -20~70 Degree C Storage: -40~85 Degree C	Operating: -10~60 Degree C Storage: -20~85 Degree C	Operating: -10~60 Degree C Storage: -20~85 Degree C	Operating: -10~70 Degree C Storage: -20~85 Degree C
Humidity Operating	Operating: 20 ~ 90% Storage: 10 ~ 95% (Non-condensing)			
Installation	DIN Rail TS-35/7.5 or 15			
Safety & Function	PWR-40-24 (MEAN WELL/ MDR-40-24): UL508, UL60950-1, TUV EN60950-1 approved, NEC class 2 / LPS compliant PWR-75-24 (MEAN WELL/ DR-75-24): UL508, TUV EN60950-1 approved PWR-120-48 (MEAN WELL/ DR-120-48): UL508, UL60950-1, TUV EN60950-1 approved PWR-240-48 (MEAN WELL/ DR-240-48): UL508, UL60950-1, TUV EN60950-1 approved			

ORDERING INFORMATION

PWR-40-24 (MEAN WELL/ MDR-40-24)	40W 24V DC Single Output Industrial DIN Rail Power Supply (-20 ~ 70 Degree C)
PWR-75-24 (MEAN WELL/ DR-75-24)	75W 24V DC Single Output Industrial DIN Rail Power Supply (-10 ~ 60 Degree C)
PWR-120-48 (MEAN WELL/ DR-120-48)	120W 48V DC Single Output Industrial DIN Rail Power Supply (-10 ~ 60 Degree C)
PWR-240-48 (MEAN WELL/ DR-240-48)	240W 48V DC Single Output Industrial DIN Rail Power Supply (-10 ~ 70 Degree C)