

NEW

## GIGABIT ETHERNET MEDIA CONVERTER



### Gigabit 1000 BaseT Ethernet

The LEMO Ethernet to fibre media converter has been designed to ensure reliable conversion in harsh environments. A pair of media converters enables the conversion of signal from Gigabit Ethernet copper networks to fibre optics and vice-versa.

Using the converter allows the fibre optic signal to be transmitted over a long distance without loss of quality.

The advantages are immunity to electro-magnetic interference and increased security for sensitive information.

#### Advantages

- single mode fibre
- electrical cable 9.5 mm diameter
- high shock and vibration resistance
- watertight IP 68
- reliable and secure, difficult to tap into the signal
- easy to deploy and operate
- will auto select to accommodate 10, 100 or 1000 BaseT signals
- LED indicators Link Activity / Power

#### Applications

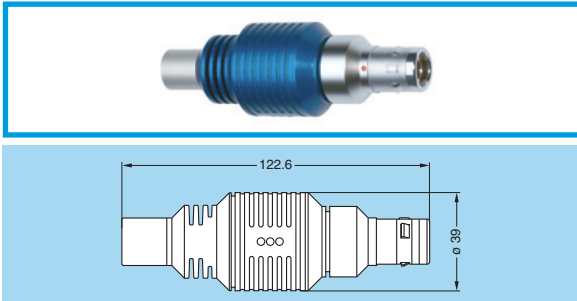
- traffic light signals / smoke and fire alert
- remote surveillance / video security
- military and industrial environment



## Technical and Environmental characteristics

Characteristics	Values
Fibre type	Singlemode 9/125 $\mu\text{m}$
Wavelength	1310 nm (Typical)
Temperature range	-20°C to +85°C
Electrical Input	10/100/1000 BaseT Ethernet, 5V supply (130mA)

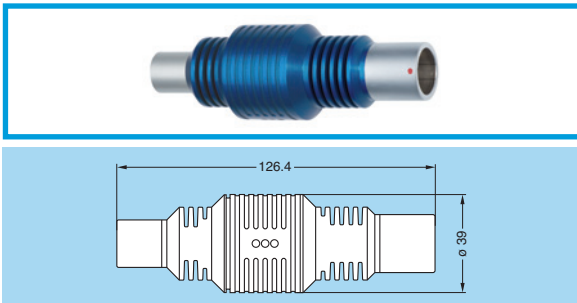
Characteristics	Values
LD Optical Output	250 $\mu\text{W}$ (Typical)
Photodiode Sensitivity	-26 dbm to -5 dbm
Data Rate	1.25 Gbps (max.)



### FGG Gigabit converter with fibre optic plug and 2K series socket

Part number	Mating connector optical side	Mating connector electrical side
FGG.MG.3KA.CP2K10	PHG.3K.03A.CLZT••Z	FGL.2K.310.CLLC••Z

**Note:** replace •• by the cable diameter required (consult factory).



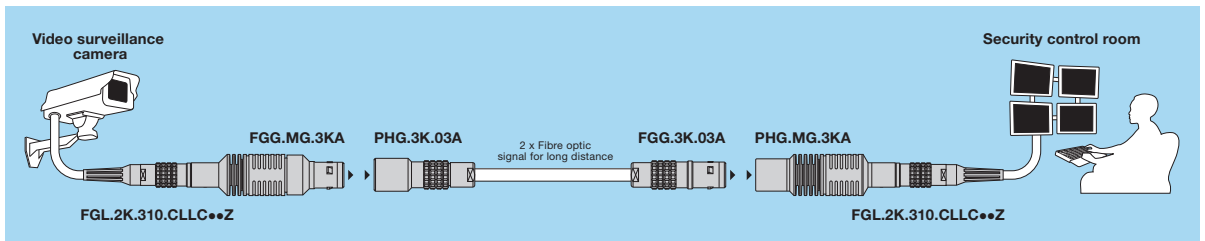
### PHG Gigabit converter with fibre optic socket and 2K series socket

Part number	Mating connector optical side	Mating connector electrical side
PHG.MG.3KA.CP2K10	FGG.3K.03A.CLZT••Z	FGL.2K.310.CLLC••Z

**Note:** replace •• by the cable diameter required (consult factory).

**Note:**

Model FGG.MG.3KA.CCZC••Z and model PHG.MG.3KA.CCZC••Z are available on request. These models include a cable tail (cable assembly). Please consult LEMO for further details.



## LEMO HEADQUARTERS

SWITZERLAND  
LEMO SA  
Chemin des Champs-Courbes 28 - P.O. Box 194 - CH-1024 Ecublens  
Tel. (+41 21) 695 16 00 - Fax (+41 21) 695 16 02 - e-mail: info@lemo.com

[www.lemo.com](http://www.lemo.com)