

ETHERNET-TO-FIBRE MEDIA CONVERTER



Ethernet Media Converter

The LEMO Ethernet to fibre media converter has been designed to ensure reliable conversion in harsh environments. A pair of media converters enables the conversion of signal from Ethernet 100 BaseT copper networks to fibre optics and vice-versa.

Using the converter allows the Ethernet signal to be transmitted over a long distance without loss of quality.

The advantages are immunity to electro-magnetic interference and increased security for sensitive information.

Advantages

- single mode fibre
- cable \varnothing 2.6 to 10.5 mm
- high shock and vibration resistance
- watertight IP 68
- reliable and secure, difficult to tap into the signal
- easy to deploy and operate
- LED indicators TX / RX / Power

Applications

- traffic light signals / smoke and fire alert
- remote surveillance / video security
- military and industrial environment

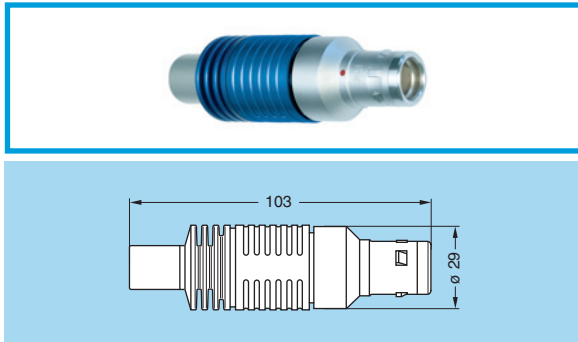


Technical characteristics

Characteristics	Values
Transmission Wavelength	1310 nm
Fibre type	Singlemode 9/125 µm
Electrical Inputs	10/100 BaseT Ethernet, 5V supply (280mA max.)
LD Optical Output Power	200 µW (250 µW max.)
Photodiode Sensitivity	-37 to -5 dBm
Data Rate	125 Mbps (max.)
Transmission Distance	over 20km

Environmental characteristics

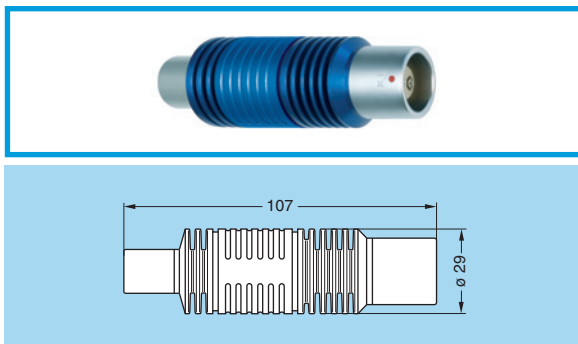
Characteristics	Values
Protection Index	IP68 (when mated)
Temperature Range / Humidity	-20°C to +85°C / 85% rH at +45°C
Solar Heating	1120 W/m ² (max) at +49°C
Salt Spray	5% Saline Solution for 48 hours
Blowing Sand	0.75 g/m ³ for 1.5 hours
Shock / High Altitude	up to 40 g / 4.572 m
Fluid Resistance	Fog Oil, Diesel, Aviation fuel (JP-8)
Electromagnetic Compliance	Compliant to MIL-STD 416E (CE102, CS101, CS114, RE102 and RS103)



FGG Ethernet converter with fibre optic plug and 1K series socket

Part number	Mating connector optical side	Mating connector electrical side
FGG.ME.3KA.CP1K06	PHG.3K.03A.CLZT••Z	FGL.1K.306.CLLC••Z

Note: replace •• by the cable diameter required (consult factory). Available in different colours.



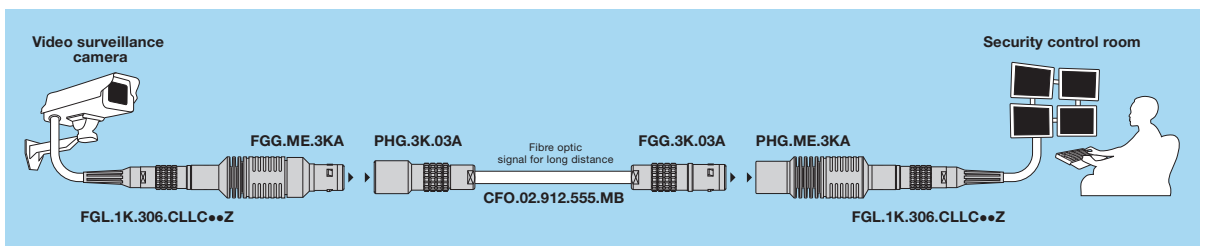
PHG Ethernet converter with fibre optic socket and 1K series socket

Part number	Mating connector optical side	Mating connector electrical side
PHG.ME.3KA.CP1K06	FGG.3K.03A.CLZT••Z	FGL.1K.306.CLLC••Z

Note: replace •• by the cable diameter required (consult factory). Available in different colours.

Note:

Model FGG.ME.3KA.CCZC••Z and model PHG.ME.3KA.CCZC••Z are available on request. These models include a cable tail (cable assembly). Recommended cable: L45467-J616-W26 or CMU.07.060.080MB. Please consult LEMO for further details.



LEMO HEADQUARTERS
 SWITZERLAND
 LEMO SA
 Chemin des Champs-Courbes 28 - P.O. Box 194 - CH-1024 Ecublens
 Tel. (+41 21) 695 16 00 - Fax (+41 21) 695 16 02 - e-mail: info@lemo.com

www.lemo.com