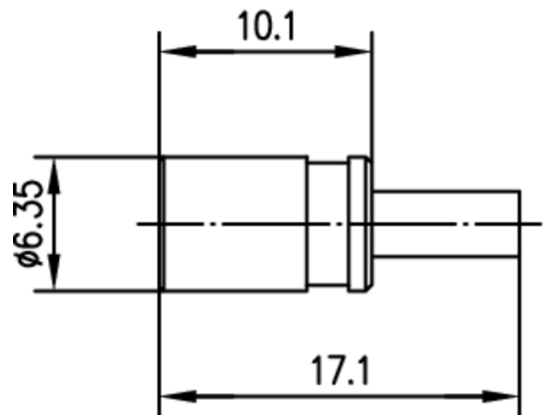


order number: J01161A0691

SMB straight jack G7 (RG-316/U) crimp/crimp



Technical Attributes	
Series	SMB
Cable group; cable	G7 (RG-316/U) RG-188A/U RG-174/U KX 3B RG-316/U KX 22A
Remarks	crimp/crimp
Finish	Gold
Assembly	C4116
Crimp die	N01003A0009
Dimensions	
Mount. dim.	

Product description

These connector series offer three different coupling mechanisms: SMB has a snap-on coupling allowing quick but secure connection, and is usable up to 4 GHz. SMC has a threaded coupling for vibration proof installation, and is usable up to 10 GHz. SMS has a slide coupling which is suitable for rack and panel systems, and is usable up to 4 GHz.

The impedance is controlled at 50 Ω for all types. Connector styles are available for flexible, conformable and

semi-rigid cables. Versions of these series connectors are available for mounting to printed circuit boards using both thru-hole soldered and thru-hole press-fit techniques, as well as surface mount technology (SMD). Solder and crimp techniques are used to terminate these series to cables. SMB/SMC/SMS connectors find applications in all types of electronic equipment.

Mechanical Characteristics	
Recommended coupling torque	SMC 25-35 Ncm
Durability (mating cycles): standard type	≥ 100
Durability (mating cycles): MIL type	≥ 500
Engagement/Disengagement	SMB 14 N typ.
Disengagement	SMS 10 N typ.
Material: spring contacts	CuBe2
Material: crimp ferrule	Cu
Material: serrated lock washer	CuSn6
Material: other metal parts	CuZn39Pb3
Material: insulators	PTFE PTFE
Material: gaskets	Silicone
Finish: Inner conductor	Cu1Ni2Au1.27
Finish outer conductor: Gold (standard; last digit ...1)	Cu1Ni2Au0.8
Finish outer conductor: MIL gold (last digit ...2)	Cu1Ni2Au1.27
Finish outer conductor: Type for printed circuits (last digit ...7)	SnPb8
Finish outer conductor: Telealloy (white bronze) (last digit ...8)	CuSnZn3 (Telealloy); Ag2CuSnZn.5 (Optargen)
Finish outer conductor: Nickel (last digit ...9)	Cu2Ni5
Finish other metal parts: Gold (standard; last digit ...1)	Cu2Ni5Au0.2
Finish other metal parts: MIL gold (last digit ...2)	Cu1Ni2Au0.8
Finish other metal parts: Nickel (last digit ...9)	Cu2Ni5, CuSnZn3

Climatic Characteristics

Climatic category acc. to IEC 60068 - 1	55/155/21
---	-----------

Electrical Characteristics	
Contact resistance inner conductor	$\leq 5 \text{ m}\Omega$
Contact resistance outer conductor	$\leq 2.5 \text{ m}\Omega$
Insulation resistance	$\geq 1 \text{ G}\Omega$
Voltage proof	750 V / 50 Hz
Impedance	50 Ω
Return loss flexible cable (straight type) at 1 GHz	$\geq 20.0 \text{ dB}$
Return loss flexible cable (straight type) at 3 GHz	$\geq 16.5 \text{ dB}$
Return loss flexible cable (angle type) at 1 GHz	$\geq 14.0 \text{ dB}$
Return loss flexible cable (angle type) at 3 GHz	$\geq 12.4 \text{ dB}$
Frequency range up to	4 GHz SMB/SMS; 10 GHz SMC

Standards	
IEC 60 169-9	
IEC 60 169-10	