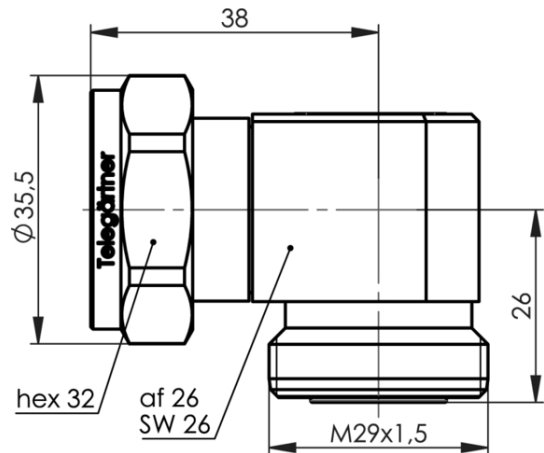


order number: J01123C0004

7-16 Angle Adaptor m-f



Technical Attributes	
Remarks	m-f
Return Loss	38 dB/1 GHz; 36 db/2 GHz; 28 dB/6 GHz

Product description

The 7-16 (DIN) series is a very popular coax connector for use in Mobile Radio equipment. It is a larger sized precision weatherproof connector supplied with a thread coupling. Depending on design, this connector can be used up to 7.5 GHz. Only 50 Ω impedances are available. Connector styles are available for flexible, conformable, semi-rigid and corrugated cable types. Solder, clamp or crimp cable terminations are used for this series. Applications for these connectors are typically radio base station interconnection and test equipment where vibration resistance and environmental protection is required. Special design techniques for this series of connectors have resulted in previously unattainable levels of performance in regard to return loss (VSWR) and intermodulation distortion. 7-16 connectors allow high-power high-frequency transmission in coaxial lines.

Mating face sealing for 7-16 connectors between plug and jack (mated) according to IP 68. This classification is a general statement for the relevant series. Individual connectors may deviate from the values shown. If in doubt, please consult our engineers.

Mechanical Characteristics	
Durability (mating cycles)	≥ 500
Recommended coupling torque	25 - 35 Nm
Material: spring contacts	CuBe2, copper alloy
	CuZn39Pb3

Material: outer conductor	
Material: other metal parts	CuZn39Pb3
Material: insulators	PTFE, PFA
Material: gaskets	Silicone, NBR
Finish: Inner conductor	Cu2Ag5
Finish: Outer conductor	CuSnZn3, Ag2CuSnZn0.5 (Optargen), Cu2Ag3
Finish: Other metal parts	CuSnZn3 (Telealloy), Ni, Cu2Ag3

Climatic Characteristics	
Climatic category acc. to IEC 60068 - 1	55/155/56

Electrical Characteristics	
Contact resistance inner conductor	$\leq 0.4 \text{ m}\Omega$
Contact resistance outer conductor	$\leq 0.2 \text{ m}\Omega$
Insulation resistance	$\geq 10 \text{ G}\Omega$
Voltage proof	4 kVeff/50 Hz
Impedance	50 Ω
Return loss: Flexible cable	40 dB/1 GHz bzw. 36 dB/2 GHz
Return loss: Straight style	32 dB/4 GHz bzw. 28 dB/6 GHz
Working voltage	$\leq 2.7 \text{ kVeff/50 Hz}$
Power	1.8 kW/1 GHz
Frequency range up to	7.5 GHz

Standards	
IEC 61 169-4	