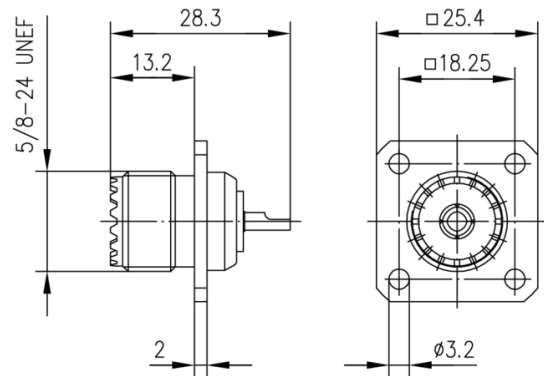


order number: J01041B0632

UHF Panel Socket brass body



| Technical Attributes | |
|----------------------|--------|
| Mount. dim. | Z08 |
| MIL-Std. | SO-239 |
| Z | Ω |
| Cable group; cable | |
| Dimensions | |
| Assembly | |

Product description

The UHF series is a low cost, low frequency connector with a screw coupling. The maximum usable frequency is limited to 200 MHz, as the impedance of the connector is not controlled. Flexible cables up to 11 mm (0.433") in diameter can be used. Soldering and crimping techniques are used for terminating these connectors. Applications for the UHF connectors are for low-frequency communication equipment.

| Mechanical Characteristics | |
|-----------------------------|-----------------------------|
| Material: contacts | CuZn39Pb3 |
| Material: other metal parts | CuZn39Pb3 |
| Material: insulators | PTFE; POM; ABS; PPE (Noryl) |
| Finish: Inner conductor | Cu2Ag5 |
| | |

| | |
|---------------------------|-------|
| Finish: Outer conductor | CuNi5 |
| Finish: Other metal parts | CuNi5 |

| Climatic Characteristics | |
|---|-----------|
| Climatic category acc. to IEC 60068 - 1 | 40/070/21 |

| Electrical Characteristics | |
|------------------------------------|-------------------------------|
| Contact resistance inner conductor | $\leq 5 \text{ m}\Omega$ |
| Contact resistance outer conductor | $\leq 5 \text{ m}\Omega$ |
| Insulation resistance | $\geq 5 \text{ G}\Omega$ |
| Voltage proof | 2 kVeff/50 Hz |
| Impedance | circa 50 Ω |
| Working voltage | $\leq 750 \text{ Veff/50 Hz}$ |
| Frequency range up to | 200 MHz |

| Standards | |
|---------------|--|
| IEC 60 169-12 | |

Note

Combination connectors and cable clamps can be utilised to create a further number of UHF-connector variations.

RF cable assemblies with UHF connectors upon request.